

Technical data sheet

Product features



Cooking range gas solid top with electric static oven

Model	SAP Code	00020281
--------------	-----------------	----------



- Device type: Combined unit
- Power consumption of the zone 1 [kW]: 9,2
- Ignition: Piezo + Eternal Flame
- Type of internal part of the appliance 1 (eg oven): Electric
- Type of internal part of the appliance 2 (eg oven): Static
- Material: AISI 304 top plate and cladding

SAP Code	00020281	Power gas [kW]	9.200
Net Width [mm]	800	Type of gas	Natural gas, propane butane
Net Depth [mm]	730	Number of zones	1
Net Height [mm]	900	Power consumption of the zone 1 [kW]	9,2
Net Weight [kg]	135.00	Type of internal part of the appliance 1 (eg oven)	Electric
Power electric [kW]	6.300	Type of internal part of the appliance 2 (eg oven)	Static
Loading	400 V / 3N - 50 Hz	Solid top dimensions [mm x mm]	800 x 580

Technical data sheet

Technical drawing

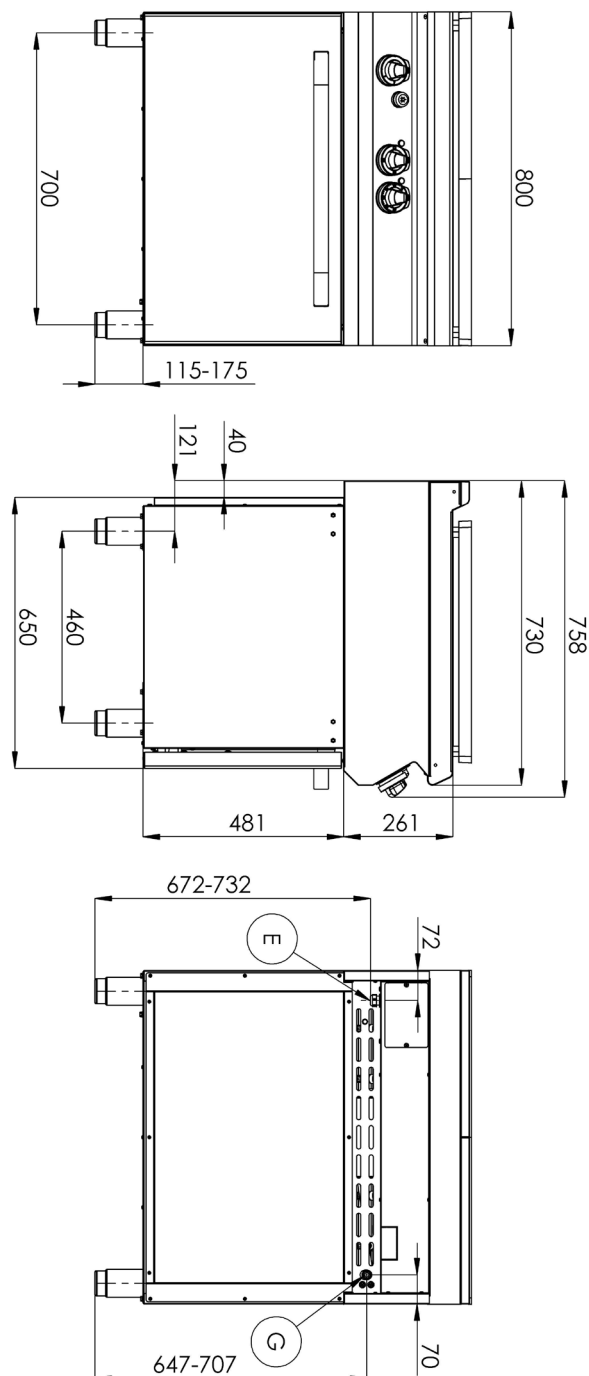


Cooking range gas solid top with electric static oven

Model

SAP Code

00020281



Technical data sheet

Technical parameters



Cooking range gas solid top with electric static oven

Model

SAP Code

00020281

1. SAP Code:

00020281

2. Net Width [mm]:

800

3. Net Depth [mm]:

730

4. Net Height [mm]:

900

5. Net Weight [kg]:

135.00

6. Gross Width [mm]:

860

7. Gross depth [mm]:

820

8. Gross Height [mm]:

1080

9. Gross Weight [kg]:

148.00

10. Device type:

Combined unit

11. Construction type of device:

Stationary

12. Power electric [kW]:

6.300

13. Loading:

400 V / 3N - 50 Hz

14. Power gas [kW]:

9.200

15. Ignition:

Piezo + Eternal Flame

16. Type of gas:

Natural gas, propane butane

17. Exterior color of the device:

Stainless steel

18. Material:

AISI 304 top plate and cladding

19. Worktop type:

Molded - comfortable cleaning maintenance

20. Worktop material:

AISI 304

21. Worktop Thickness [mm]:

1.50

22. Number of zones:

1

23. Power consumption of the zone 1 [kW]:

9,2

24. Service accessibility:

Trough the frontal panel

25. Safety thermocouple:

Yes

26. Adjustable feet:

Yes

27. Number of burners/hot plates:

1

28. Type of gas cooking zones:

Thales

Technical data sheet

Technical parameters



Cooking range gas solid top with electric static oven

Model

SAP Code

00020281

29. Oven Type:

electrical static

35. Maximum temperature of the inner chamber [°C]:

300

30. Oven power electric [kW]:

6.30

36. Minimum temperature of the inner chamber [°C]:

50

31. Oven size:

GN 2/1

37. Solid top thickness [mm]:

30

32. Type of internal part of the appliance 1 (eg oven):

Electric

38. Solid top dimensions [mm x mm]:

800 x 580

33. Type of internal part of the appliance 2 (eg oven):

Static

39. Solid top ignition:

Piezo + Eternal Flame

34. Gasket:

Yes